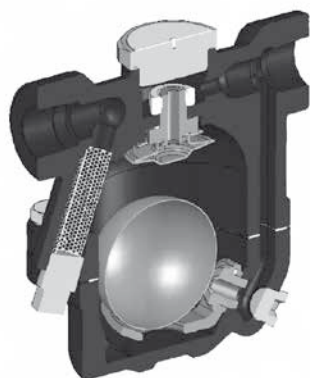


G20

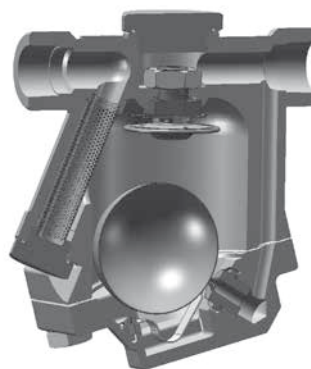
GC20



Screwed



Flanged Connection

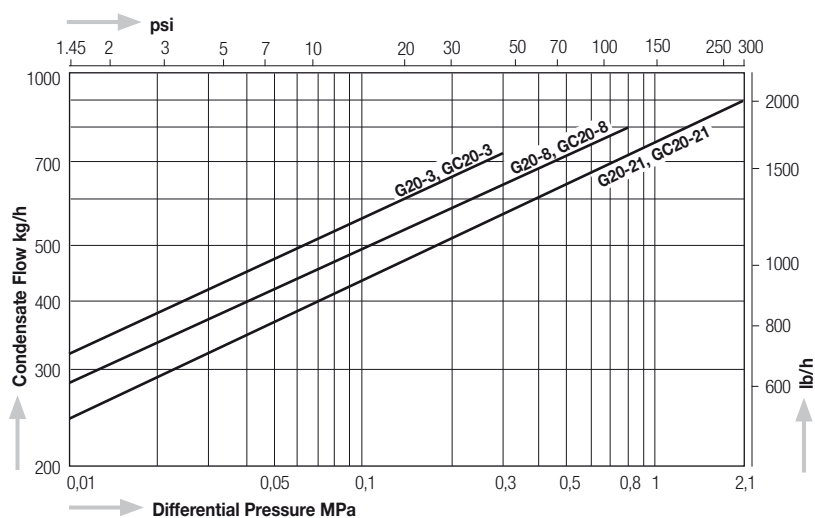


Screwed

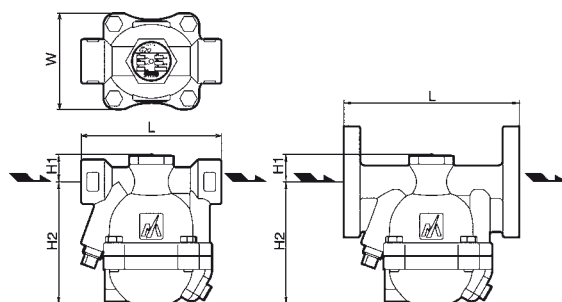


Flanged Connection

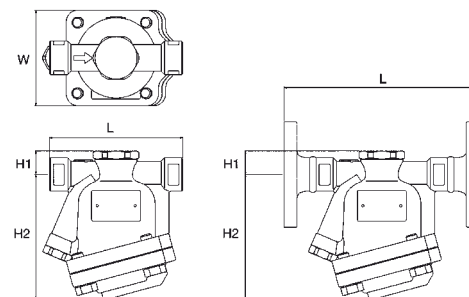
Capacity Chart G20 / GC20



Dimensions G20



Dimensions GC20



Available versions G20 / GC20

Max. Operating Pressure:

G20 (GC20)- 3 0,3 MPa (43 psig)

G20 (GC20)- 8 0,8 MPa (116 psig)

G20 (GC20)- 21 2,1 MPa (305 psig)

Model	Connections	Size (in)	Max. Operating Pressure, PMO		Max. Operating Temperature, TMO		Dimensions (mm)				Dimensions (in)				Body Material	Weight											
			MPa	psig	°C	°F	L	H1	H2	W	L	H1	H2	W		kg	lb										
G20	Screwed Rc, NPT	1/2"	2,1	305	220	428	120	24	105	82	4.7	1.0	4.1	3.2	Ductile Cast Iron FCD450	2,5	5,5										
		3/4"							105				4.1			2,5	5,5										
		1"							107				4.2			2,6	5,7										
G20F	Flanged JIS, ASME	1/2"					2,1	305	220	428	150	24	105	82		4.7	1.0	5.9	4.1	3.2	3,7*	8,1*					
		3/4"																5.9			4,2*	9,2*					
		1"																6.3			4,8*	10,6*					
	Flanged DIN	DN 15									2,1	305	220	428		150	24	105	82	4.7	0.8	6.4	3.4	3.2	3,7	8,1	
		DN 20																							5.9	4,2	9,2
		DN 25																							6.3	4,8	10,6
GC20	Screwed Rc, NPT	1/2"	2,1	305	220	428	120	21	113	86	4.7	0.8	6.4	3.4	Stainless Steel SCS13A	2,4	5,3										
		3/4"														2,4	5,3										
		1"														2,5	5,5										
GC20F	Flanged JIS, ASME	1/2"					2,1	305	220	428	175	21	113	86		4.7	0.8	4.4	3.4	3.2	3,9*	8,6*					
		3/4"																			7.7	5,0*	11,0*				
		1"																			8.5	5,8*	12,8*				
	Flanged DIN	DN 15									2,1	305	220	428		150	21	113	86	4.7	0.8	4.4	3.4	3.2	3,4	7,5	
		DN 20																							5.9	3,9	8,6
		DN 25																							6.3	4,6	10,1

*Depending on the flange rating the weight may differ.