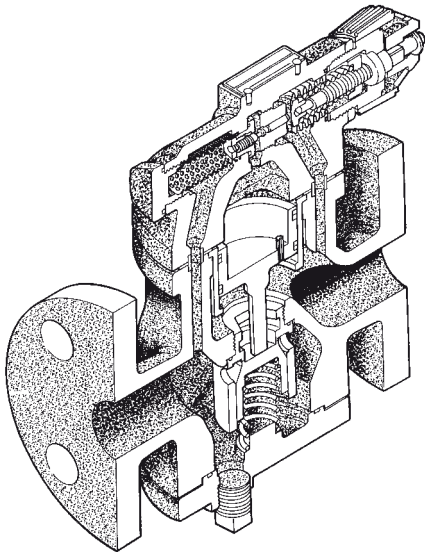
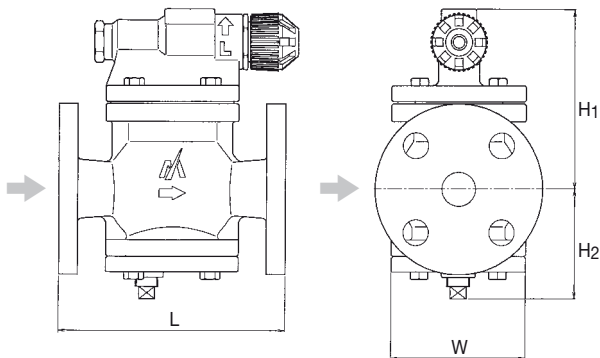


RE10N

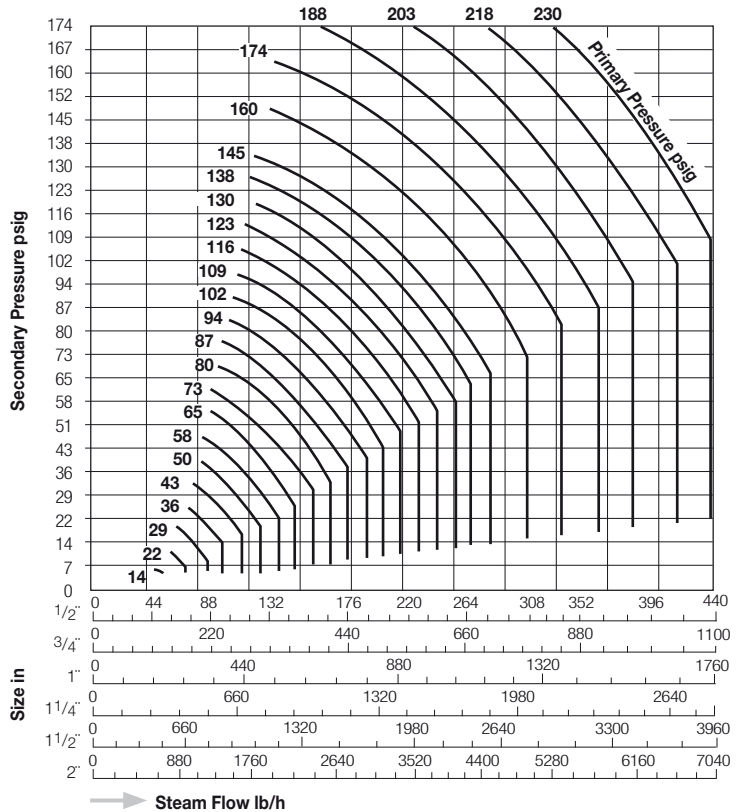
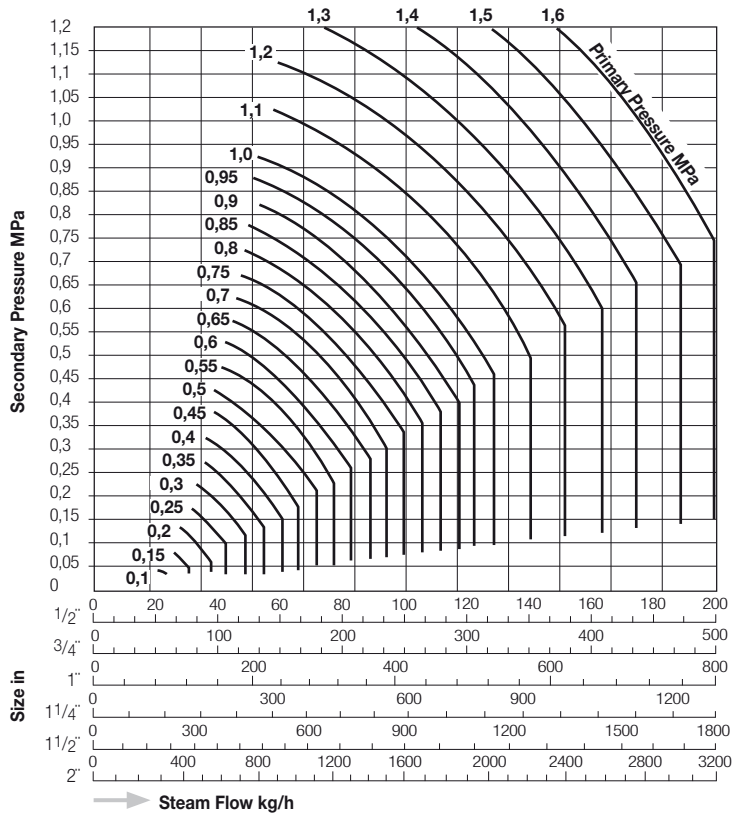


Body Material: Ductile Cast Iron FCD450

Dimensions RE10N



Capacity Charts RE10N



Model	Connection	Size (in)	Operating Pressure (Primary)		Secondary Pressure		Max. Red. Pressure Ratio	Max. Oper. Temperature		Dimensions (mm)				Dimensions (in)				Weight	
			MPa	psig	MPa	psig		°C	°F	L	H ₁	H ₂	W	L	H ₁	H ₂	W	kg	lb
RE10N	Flanged JIS, ASME, DIN	1/2"	0,1 - 1,6	14,5 - 230	0,03 - 1,2	4,4 - 174	20 : 1	220	428	160	133	80	100	6.3	5.2	3.1	3.9	7,0	15,4
		3/4"																7,4	16,3
		1"																8,1	17,8
		1 1/4"																14,1	31,0
		1 1/2"																14,3	31,5
2"	15,5	34,1																	