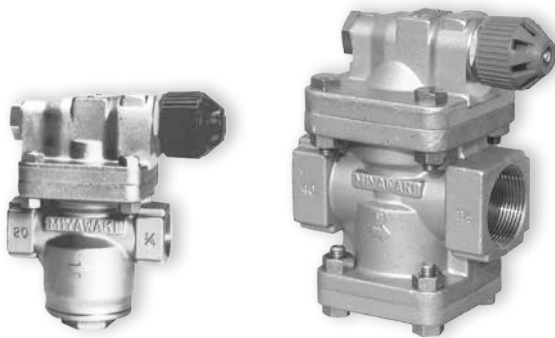
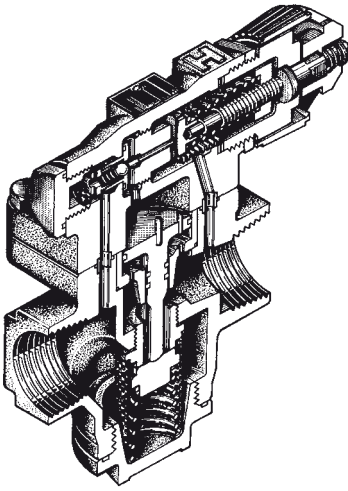
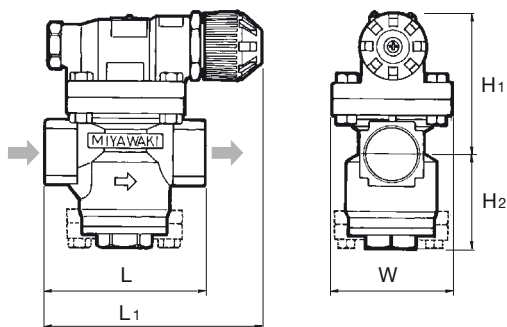


RE3

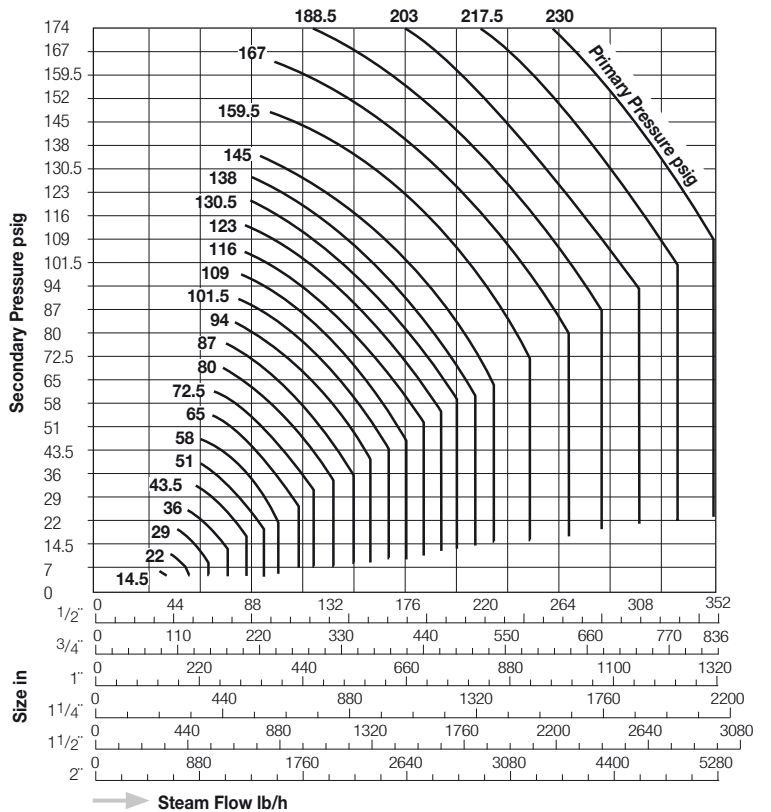
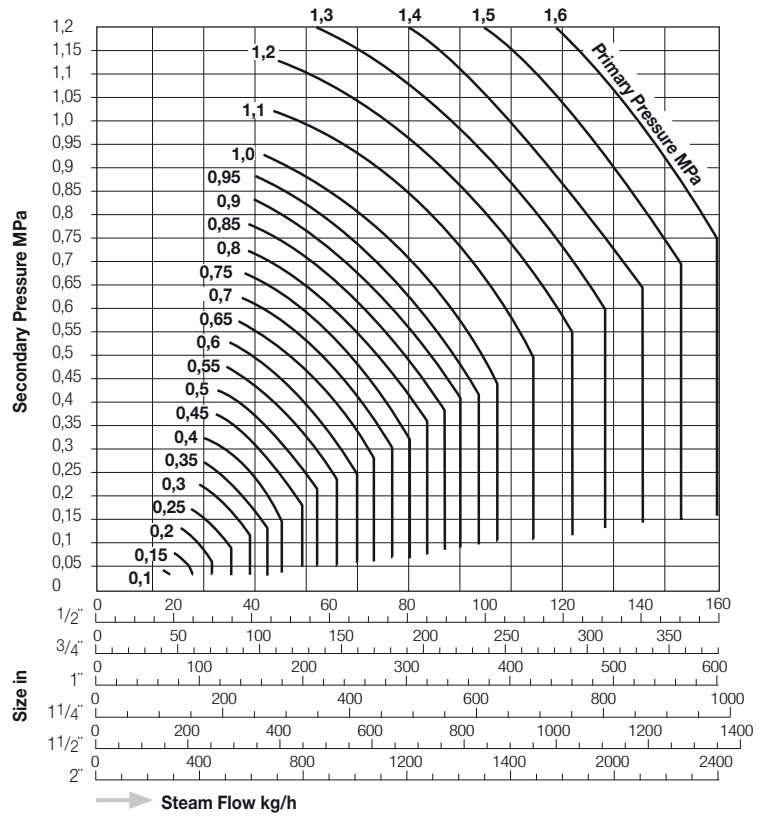


Body Material: Brass C3771

Dimensions RE3



Capacity Charts RE3



Model	Connec.	Size (in)	Operating Pressure (Primary)		Secondary Pressure		Max. Red. Pressure Ratio	Max. Oper. Temperature		Dimensions (mm)					Dimensions (in)					Weight	
			MPa	psig	MPa	psig		°C	°F	L	L ₁	H ₁	H ₂	W	L	L ₁	H ₁	H ₂	W	kg	lb
RE3	Screwed Rc, NPT	1/2"	0,1 - 1,6	14.5 - 230	0,03 - 1,2	4.4 - 174	20 : 1	220	428	90	127	87	58	74	3.5	5.0	3.4	2.3	2.9	2,8	6,2
		95								130	3.7				5.1	2,9				6,4	
		1"								130	155	111	73	96	5.1	6.1	4.4	2.9	3.8	6,2	13,6
		1 1/2"								140	157	121	79	110	5.5	6.2	4.8	3.1	4.3	8,2	18,0