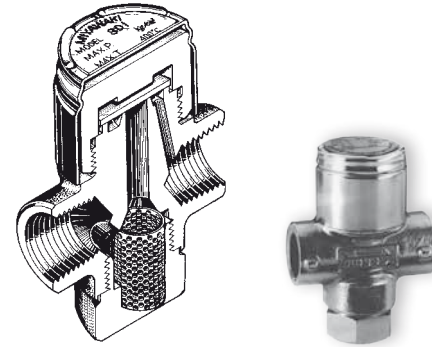
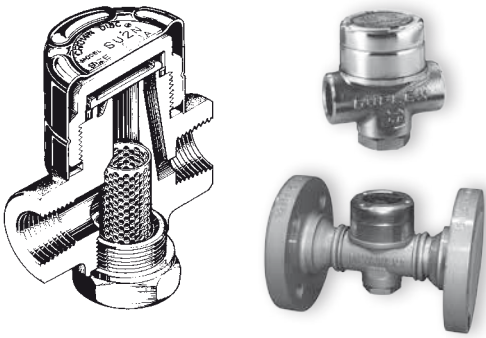


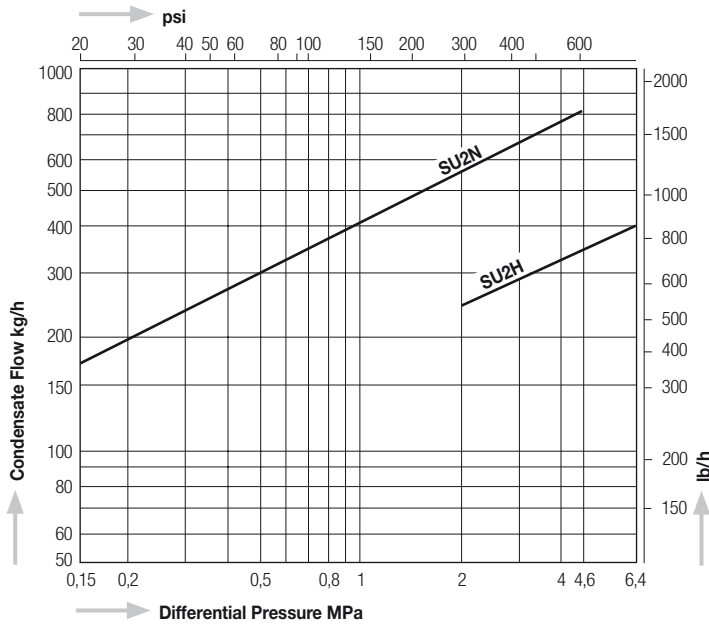
# SU2N, SU2H

# SD1

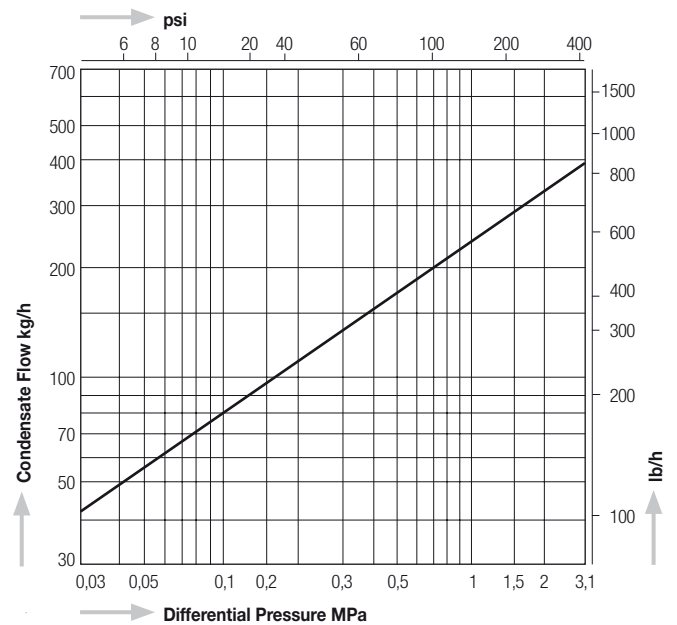


Special face-to-face dimensions available.

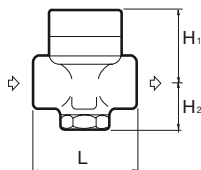
Capacity Chart SU2N, SU2H



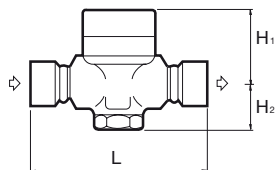
Capacity Chart SD1



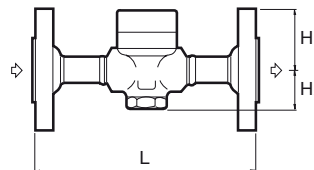
Dimensions SU2N, SU2H



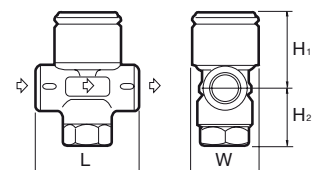
SU2NW, SU2HW



SU2NF, SU2HF



SD1



Model	Connections	Size (in)	Operating Pressure Range		Max. Operating Temperature		Dimensions (mm)				Dimensions (in)				Body Material	Weight					
			MPa	psig	°C	°F	L	H <sub>1</sub>	H <sub>2</sub>	W	L	H <sub>1</sub>	H <sub>2</sub>	W		kg	lb				
SU2N (SU2H)	Screwed Rc, NPT	1/2"	0,15 – 4,6 (2,0 – 6,4)	22 – 667 (290 – 928)	425	800	70	47	32	53	2.8	1.9	1.3	2.1	Stainless Steel SUS420J2	0,8	1.8				
		3/4"					75	51			3.0	2.0				0,9	2.0				
		1"																			
SU2NW (SU2HW)	Socket Weld ASME, DIN	1/2"									140	47	32	53		5.5	1.9	1.3	2.1	1,1	2.4
		3/4"																	1,3	2.9	
		1"																	2,7	5.9	
SU2NF (SU2HF)	Flanged JIS, ASME, DIN	1/2"									205	47	32	53		8.1	1.9	1.3	2.1	3,7	8.1
		3/4"																	4,3	9.5	
	Flanged DIN PN40	1"									150	47	32	53		5.9	1.9	1.3	2.1	2,6	5.7
		3/4"									6.3				3,3	7.3					
		1"					160								3,8	8.4					
SD1	Screwed Rc, NPT	1/4"	0,03 – 3,1	4.4 – 450	400	752	52	39	25	34	2.0	1.5	1.0	1.3	Stainless Steel SUS420J2	0,3	0.7				
		3/8"					60	41			23	2.4				1.6	0.9				
		1/2"																			