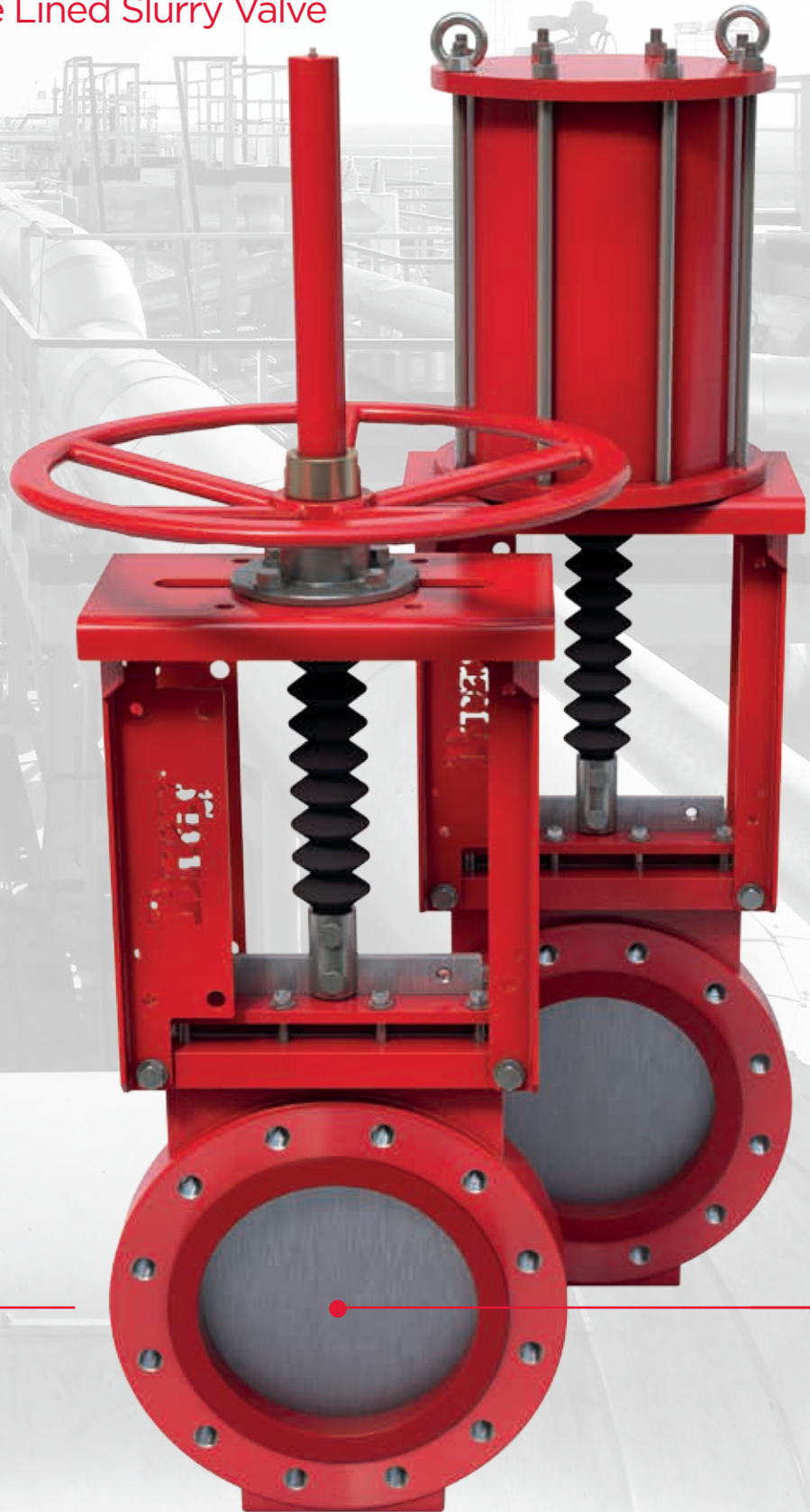


# Series 746

Bidirectional Urethane Lined Slurry Valve



**Bray / VAAS**<sup>TM</sup>

2"-24" (50-600mm) 240psi (16bar)  
26"-60" (650-1500mm) 150psi (10bar)

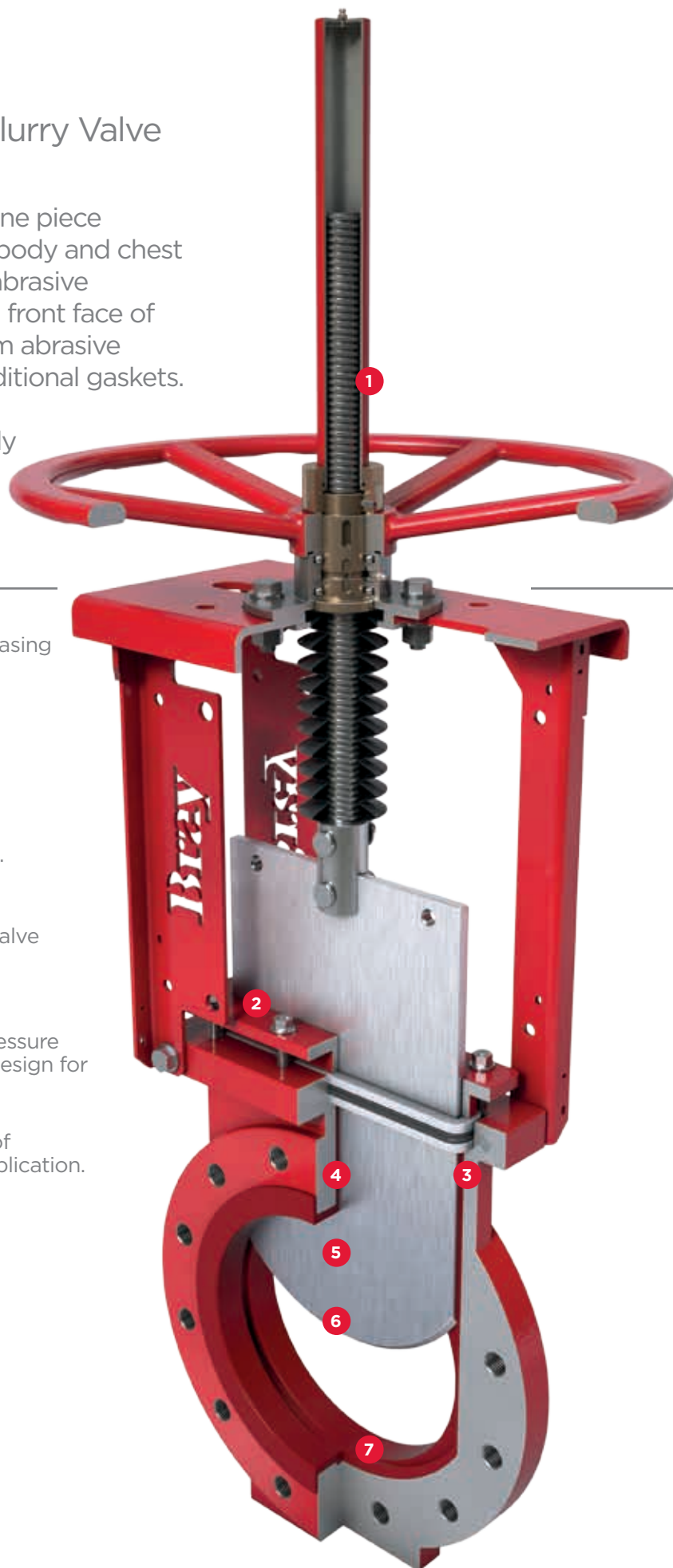
# Series 746

## Bidirectional Urethane Lined Slurry Valve

The Bray/VAAS Series 746 features a one piece urethane liner molded throughout the body and chest providing Class VI shutoff in the most abrasive applications. The liner extends over the front face of the body, ensuring total protection from abrasive media and eliminating the need for additional gaskets.

The one piece, durable ductile iron body is offered in a compact wafer style for ease of handling and installation.

- 1 Protective stem cover is standard increasing cycle life in hazardous environments.
- 2 Live-loaded packing gland extends gate life preventing leakage and discharge from top of valve.
- 3 Standard one piece ductile iron body with molded urethane liner throughout.
- 4 Urethane body liner is rated up to 80°C/176°F and completely protects valve body from abrasive line media. (UMP 241 90 Shore, PTMEG-TDI)
- 5 Unrestricted flow path with minimal pressure drop achieved through full port valve design for extended valve life.
- 6 Robust gate available in a wide range of corrosion resistant alloys to suit the application.
- 7 Seat and port designed to be flush eliminating cavities where media can collect and prevent full gate closure.



## Standard Construction

Body	Gate	Liner	Stem	Gland	Packing	Topworks
DI	304	Urethane	304	CS	PTFE	Steel
CF8	304	Urethane	304	CS	Quad	Steel
CF8M	316	Urethane	304	CS	Quad	Steel

## Actuator Options\*

Bevel Gear	Standard 10"-24"
Pneumatic	
Hydraulic	
Electric	

\*Direct Mounted Handwheel (Standard 2"-8").

## Body Options

Carbon Steel (WCB)
CF8 Stainless Steel
CF8M Stainless Steel
CF3M Stainless Steel
SAF 2205 Duplex
SAF 2507 Duplex

Additional material options may be available upon request. Consult factory for availability.

## Gate Options

304, 316, 317 Stainless Steel
SAF 2507 Duplex
17-4PH Stainless Steel
Hastelloy® C
Monel®
Titanium

## Packing Options

PTFE	232°C/450°F
Elastomer	90°C/194°F
Quad Seal*	200°C/392°F
Copper Wiper	500°C/932°F
Graphite	1000°C/1832°F

\*PTFE with Buna-N or Viton®.

## Specifications & Standards

Size Range	2" to 60" (50 - 1500mm)
Pressure Rating	Up to 24" (600mm) 240psi (16bar) 26"-60" (650mm-1500mm) 150psi (10bar)
Body Style	Single piece, Wafer

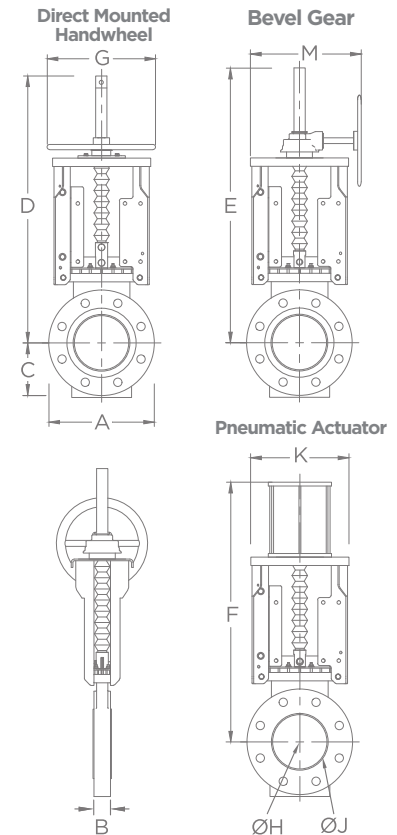
Design	Manufacturer Standard
Testing	MSS SP-81
Face-to-face	Per industry standard
Certification	Canadian CRN
Drilling*	ASME B16.5 CL150, ASME B16.47 CL150

## Dimensions

\*Additional drilling options available. Consult factory for availability.

In. (mm)	A	B	C	D	E	F	G	ØH	ØJ	K	M
2 (50)	6.88 (175)	1.57 (40)	4.01 (102)	19.17 (487)	22.15 (563)	21.25 (540)	11.81 (300)	1.85 (47)	2.00 (51)	7.52 (191)	5.25 (133.4)
3 (80)	7.99 (203)	1.96 (50)	4.88 (124)	22.36 (568)	24.05 (611)	24.68 (627)	11.81 (300)	2.79 (71)	3.00 (76)	8.74 (222)	6.38 (162.3)
4 (100)	9.60 (244)	1.96 (50)	5.47 (139)	24.45 (621)	25.15 (639)	26.25 (667)	11.81 (300)	3.81 (97)	4.01 (102)	10.51 (267)	6.90 (175.5)
6 (150)	10.98 (279)	2.36 (60)	5.74 (146)	29.45 (748)	32.99 (838)	31.61 (803)	19.68 (500)	5.78 (147)	5.98 (152)	12.59 (320)	9.12 (231.9)
8 (200)	13.50 (343)	2.36 (60)	7.04 (179)	34.96 (888)	36.37 (924)	36.96 (939)	19.68 (500)	7.71 (196)	7.99 (203)	14.76 (375)	10.31 (261.9)
10 (250)	16.37 (416)	2.75 (70)	8.22 (209)	41.06 (1043)	44.29 (1125)	43.89 (1115)	19.68 (500)	9.72 (247)	10.00 (254)	17.48 (444)	13.38 (339.9)
12 (300)	19.01 (483)	3.15 (80)	9.76 (248)	47.52 (1207)	47.52 (1207)	50.11 (1273)	23.62 (600)	11.77 (299)	11.96 (304)	20.38 (518)	13.44 (341.6)
14 (350)	21.06 (535)	3.15 (80)	10.78 (274)	52.75 (1340)	52.75 (1340)	53.89 (1369)	23.62 (600)	12.95 (329)	13.26 (337)	22.55 (573)	14.75 (374.7)
16 (400)	23.74 (603)	3.54 (90)	11.88 (302)	56.49 (1435)	56.49 (1435)	59.05 (1500)	27.55 (700)	15.00 (381)	15.23 (387)	24.48 (622)	14.75 (374.7)
18 (450)	25.51 (648)	3.54 (90)	12.75 (324)	66.14 (1680)	66.14 (1680)	68.03 (1728)	27.55 (700)	17.00 (432)	17.32 (440)	26.33 (669)	17.00 (431.8)
20 (500)	27.99 (711)	4.33 (110)	14.48 (368)	71.77 (1823)	71.77 (1823)	73.93 (1878)	27.55 (700)	19.01 (483)	19.25 (489)	28.03 (712)	18.88 (479.6)
24 (600)	32.99 (838)	4.33 (110)	16.49 (419)	85.11 (2162)	85.11 (2162)	87.24 (2216)	27.55 (700)	23.18 (589)	23.62 (600)	35.00 (889)	18.88 (479.6)
26 (650)	36.77 (934)	4.33 (110)	17.51 (445)	98.42 (2500)	98.42 (2500)	98.42 (2500)	--	23.50 (597)	24.56 (624)	36.77 (934)	19.68 (500)
30 (750)	41.49 (1054)	5.90 (150)	20.27 (515)	110.98 (2819)	110.98 (2819)	110.98 (2819)	--	26.73 (679)	29.01 (737)	41.49 (1054)	21.65 (550)
36 (900)	48.26 (1226)	6.89 (175)	23.62 (600)	131.96 (3352)	131.96 (3352)	131.96 (3352)	--	31.88 (810)	35.03 (890)	48.26 (1226)	21.65 (550)
40 (1000)	56.49 (1435)	6.89 (175)	27.15 (690)	152.99 (3886)	152.99 (3886)	152.99 (3886)	--	38.26 (972)	41.10 (1044)	56.49 (1435)	27.55 (700)
48 (1200)	62.99 (1600)	7.48 (190)	30.31 (770)	173.97 (4419)	173.97 (4419)	173.97 (4419)	--	43.97 (1117)	45.66 (1160)	62.99 (1600)	27.55 (700)
56 (1400)	67.32 (1710)	8.66 (220)	33.85 (860)	195.00 (4953)	195.00 (4953)	195.00 (4953)	--	48.97 (1244)	51.96 (1320)	67.32 (1710)	27.55 (700)
60 (1500)	76.96 (1955)	8.66 (220)	38.58 (980)	215.98 (5486)	215.98 (5486)	215.98 (5486)	--	57.28 (1455)	60.03 (1525)	72.83 (1850)	27.55 (700)

Dimensions given above are indicative. Please request certified drawings for piping layout.



Consult factory for hydraulic and electric actuators dimensions.

## Weights

Size (In.)	2	3	4	6	8	10	12	14	16	18	20	24	26	30	36	40	48	56	60
Size (mm)	50	80	100	150	200	250	300	350	400	450	500	600	650	750	900	1000	1200	1400	1500
Weight (lbs)	44	55	77	88	143	198	375	441	529	573	727	1058	2189	2151	3500	5200	6971	8278	8818
Weight (kgs)	20	25	35	40	65	90	170	200	240	260	330	480	993	976	1588	2359	3162	3755	4000

\*Approximate weights shown with pneumatic actuator standard on 26"-60" valves, consult factory for additional configurations.

**Bray International, Inc.**  
Houston, TX, USA +281.894.5454

**Bray/VAAS India**  
Chennai +91.44.2496.1391

**Benelux**  
Heerhugowaard +31.72.572.1410

**Brazil**  
Paulinia Sp-Brazil +55.19.3517.6161

**Canada**  
Montréal +514.344.2729

**Chile**  
Santiago +56.2739.2966

**China**  
Hangzhou, Zhejiang +86.571.828.52200

**Colombia**  
Bogota +571.876.6084

**France**  
Maubeuge +0033.3.27.59.41.89

**Germany**  
Krefeld +49.2151.53360

**India**  
Gujarat +91.2667.664444

**Italy**  
Milano +39.02.9237.0196

**Mexico**  
Zapopan, Jalisco +52.33.3836.4460

**Middle East**  
Dubai +00971.0.4.887.6979

**Pacific**  
Melbourne, Australia +613.9580.9755

**Peru**  
Lima +511.251.0251

**Poland**  
Oswiecim +48.33.842.1968

**Russia**  
Moscow +7.495.36.36.222

**Singapore**  
Ubi Techpark +65.6742.1428

**South Africa**  
Sandton +27.10.007.3222

**South Korea**  
Seoul +82.2.2190.3809

**United Kingdom**  
Inchinnan +44.141.812.5199



To find a distributor in your area visit us online at [www.bray.com](http://www.bray.com)

All statements, technical information, and recommendations in this bulletin are for general use only. Consult Bray/VAAS representatives or factory for the specific requirements and material selection for your intended application. The right to change or modify product design or product without prior notice is reserved. Patents issued and applied for worldwide.  
Bray® is a registered trademark of BRAY INTERNATIONAL, Inc. © 2015 Bray International. All rights reserved. V-6008\_EL\_746\_06-2016