

# Series 760

Bidirectional Heavy Duty Slurry Valve



**Bray / VAAS**

2"-30" (50-750mm) 100psi (7bar)

# Series 760

## Bidirectional Heavy Duty Slurry Valve

The Bray/VAAS Series 760 is a bidirectional heavy duty slurry valve, designed for demanding slurry applications. Twin elastomer seats and push-through gate design facilitate self-cleaning and prevent media build up.

The durable ductile iron body is offered in a two-piece bolted flange style. When fully open, the valve is full bore, offering no resistance to line media.

\* Shown with stem cover (optional).

- 1 Designed for easy, quick conversion between manual and pneumatic actuation. Featuring a lubricant injection port for continuous, smooth operation with minimal maintenance.\*
- 2 Metal-reinforced, elastomer sleeves provide energized, zero leakage shutoff in both directions. Retaining rings included as standard throughout the entire size range.
- 3 In the open position, the energized sleeves shield all metal components from direct contact with the flowing process media.
- 4 Robust gate available in a wide range of corrosion resistant alloys to suit the application.
- 5 Unrestricted flow path with minimal pressure drop achieved through full port valve design for extended sleeve life.
- 6 Ample clearance for push-through allows complete gate closure.
- 7 Flanged two-piece bolted body allows for easy maintenance and is drilled and tapped to ASME CL150 flange patterns as standard. Other drilling options available upon request.
- 8 Bottom flush plate with tapped ports provided as standard, allowing for safe discharge of media and easy flush water connection.



## Standard Construction

Body	Gate	Seat	Stem	Wiper Support	Wiper	Topworks
DI	304	Nat. Rubber	304	CS	EPDM	Steel
CF8	304	Nat. Rubber	304	CS	EPDM	Steel
CF8M	316	Nat. Rubber	304	CS	EPDM	Steel

## Actuator Options\*

Bevel Gear	Standard 10"-24"
Pneumatic	
Hydraulic	
Electric	

\*Direct Mounted Handwheel (Standard 2"-8").

## Body Options

Carbon Steel (WCB)
CF8 Stainless Steel
CF8M Stainless Steel
CF3M Stainless Steel
SAF 2205 Duplex
SAF 2507 Duplex

## Gate Options

304, 316, 317 Stainless Steel
SAF 2507 Duplex
17-4PH Stainless Steel
Hastelloy® C
Monel®
Titanium

## Seat Options

Nat. Rubber	-60°-165°F/-51°-74°C
Buna-N	-35°-194°F/-37°-90°C
EPDM	-65°-248°F/-54°-120°C
Viton®	-15°-392°F/-26°-200°C

Additional material options may be available upon request. Consult factory for availability.

## Specifications & Standards

Size Range	2" to 24" (50 - 600mm)
Pressure Rating*	100psi (7bar)
Body Style	Flanged, two-piece bolted

Design	Manufacturer Standard
Testing	MSS SP-81
Face-to-face	Per industry standard
Certification	Canadian CRN
Drilling	ASME B16.5 CL150, ASME B16.47 CL150

\*Additional pressure ratings may be available upon request. Consult factory for availability.

\*Additional drilling options available. Consult factory for availability.

## Dimensions

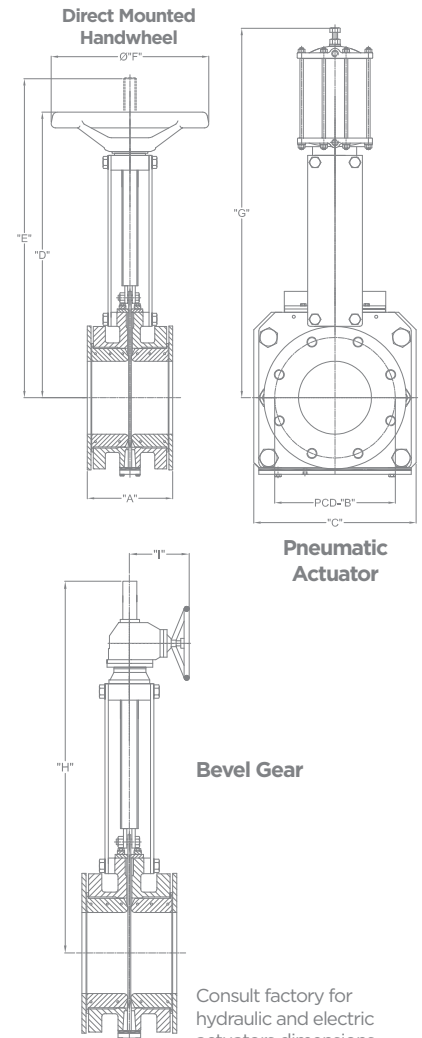
In. (mm)	A	PCD-B	C	D	E	ØF	G	H	I
<b>2 (50)</b>	6.88 (175)	4.74 (121)	7.44 (189)	15.03 (382)	16.41 (417)	10.00 (254)	23.22 (590)	--	--
<b>3 (80)</b>	6.88 (175)	6.00 (153)	8.85 (225)	16.73 (425)	19.40 (493)	10.00 (254)	25.59 (650)	--	--
<b>4 (100)</b>	6.88 (175)	7.50 (191)	10.27 (261)	18.46 (469)	22.12 (562)	10.00 (254)	29.52 (750)	--	--
<b>5 (125)</b>	6.88 (175)	8.50 (216)	11.65 (296)	20.94 (532)	26.25 (667)	12.00 (305)	35.43 (900)	--	--
<b>6 (150)</b>	7.00 (178)	9.50 (242)	12.79 (325)	22.51 (572)	28.54 (725)	12.00 (305)	35.82 (910)	--	--
<b>8 (200)</b>	7.24 (184)	11.75 (299)	14.40 (366)	25.43 (646)	33.38 (848)	12.00 (305)	39.76 (1010)	--	--
<b>10 (250)</b>	8.89 (226)	14.25 (362)	17.08 (434)	30.03 (763)	40.70 (1034)	12.00 (305)	48.81 (1240)	46.96 (1193)	9.68 (246)
<b>12 (300)</b>	10.11 (257)	17.00 (432)	20.86 (530)	32.51 (826)	46.96 (1193)	15.98 (406)	55.11 (1400)	53.83 (1367)	9.68 (246)
<b>14 (350)</b>	10.11 (257)	18.74 (476)	22.20 (564)	37.32 (948)	53.74 (1365)	15.98 (406)	62.99 (1600)	63.50 (1613)	9.68 (246)
<b>16 (400)</b>	10.98 (279)	21.25 (540)	24.25 (616)	40.59 (1031)	58.70 (1491)	15.98 (406)	68.89 (1750)	65.03 (1652)	10.47 (266)
<b>18 (450)</b>	12.24 (311)	22.75 (578)	26.37 (670)	--	--	--	72.83 (1850)	73.34 (1863)	10.47 (266)
<b>20 (500)</b>	14.13 (359)	25.00 (635)	29.13 (740)	--	--	--	80.70 (2050)	78.30 (1989)	10.47 (266)
<b>24 (600)</b>	14.64 (372)	29.50 (750)	34.76 (883)	--	--	--	97.04 (2465)	88.77 (2255)	10.55 (268)

Dimensions are approximate and subject to change. Consult factory for certified drawings.

## Weights

Size (In.)	2	3	4	6	8	10	12	14	16	18	20	24
Weight (lbs)	46	59	73	143	161	269	320*	489*	558*	802*	1078*	1336*
Size (mm)	50	80	100	150	200	250	300	350	400	450	500	600
Weight (kgs)	21	27	33	65	73	122	145*	222*	253*	364*	489*	606*

\*Approximate weights shown with bevel gear actuator standard on 10"-24" valves, consult factory for additional configurations.





**Bray International, Inc.**  
Houston, TX, USA +281.894.5454

**Bray/VAAS India**  
Chennai +91.44.2496.1391

**Benelux**  
Heerhugowaard +31.72.572.1410

**Brazil**  
Paulinia Sp-Brazil +55.19.3517.6161

**Canada**  
Montréal +514.344.2729

**Chile**  
Santiago +56.2739.2966

**China**  
Hangzhou, Zhejiang +86.571.828.52200

**Colombia**  
Bogota +571.876.6084

**France**  
Maubeuge +0033.3.27.59.41.89

**Germany**  
Krefeld +49.2151.53360

**India**  
Gujarat +91.2667.664444

**Italy**  
Milano +39.02.9237.0196

**Mexico**  
Zapopan, Jalisco +52.33.3836.4460

**Middle East**  
Dubai +00971.0.4.887.6979

**Pacific**  
Melbourne, Australia +613.9580.9755

**Peru**  
Lima +511.251.0251

**Poland**  
Oswiecim +48.33.842.1968

**Russia**  
Moscow +7.495.36.36.222

**Singapore**  
Ubi Techpark +65.6742.1428

**South Africa**  
Sandton +27.10.007.3222

**South Korea**  
Seoul +82.2.2190.3809

**United Kingdom**  
Inchinnan +44.141.812.5199



To find a distributor in your area visit us online at [www.bray.com](http://www.bray.com)

All statements, technical information, and recommendations in this bulletin are for general use only. Consult Bray/VAAS representatives or factory for the specific requirements and material selection for your intended application. The right to change or modify product design or product without prior notice is reserved. Patents issued and applied for worldwide.  
Bray® is a registered trademark of BRAY INTERNATIONAL, Inc. © 2015 Bray International. All rights reserved. V-6002\_EL\_760\_06-2016