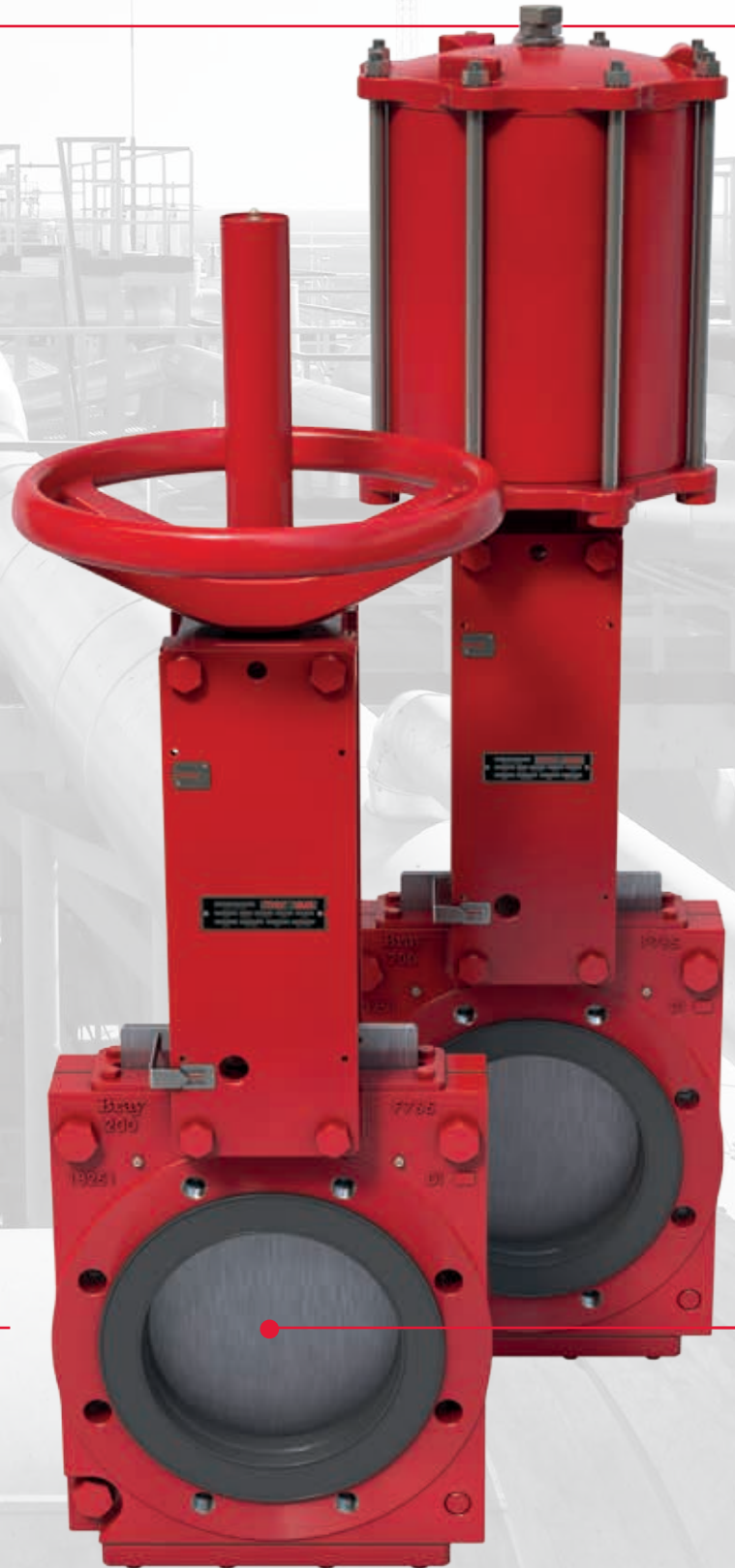


Series 765

Bidirectional Slurry Valve



Bray / VAASTM

2"-16" (50-400mm) 150psi (10bar)
18"-24" (450-600mm) 90psi (6bar)

Series 765

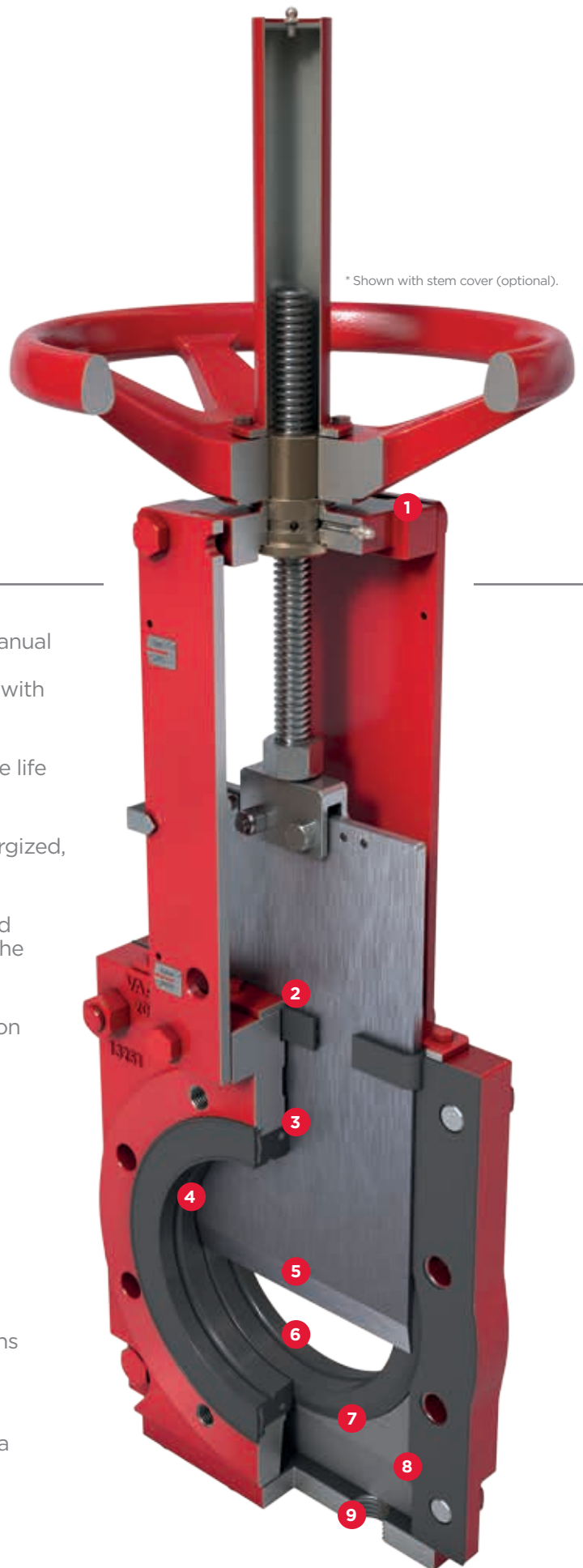
Bidirectional Slurry Valve

The Bray/VAAS Series 765 is a bidirectional slurry valve, designed for demanding slurry applications. Twin elastomer seats and push-through gate design facilitate self-cleaning and prevent media build up.

The durable ductile iron body is offered in a compact wafer style. When fully open, the valve is full bore, offering no resistance to line media.

* Shown with stem cover (optional).

- 1 Designed for easy, quick conversion between manual and pneumatic actuation. Featuring a lubricant injection port for continuous, smooth operation with minimal maintenance.*
- 2 Self-adjusting secondary wiper seal extends gate life and prevents discharge from top of valve.
- 3 Metal-reinforced, elastomer sleeves provide energized, zero leakage shutoff in both directions.
- 4 In the open position, the energized sleeves shield all metal components from direct contact with the flowing process media.
- 5 Robust gate available in a wide range of corrosion resistant alloys to suit the application.
- 6 Unrestricted flow path with minimal pressure drop achieved through full port valve design for extended sleeve life.
- 7 Ample clearance for push-through allows complete gate closure.
- 8 Compact wafer body allows for easy installation and is drilled and tapped to ASME CL150 flange patterns as standard. Other drilling options available upon request.
- 9 Drain plate with tapped purge ports provided as standard, allowing for safe discharge of media and easy flush water connection.



Standard Construction

Body	Gate	Seat	Stem	Wiper Support	Wiper	Topworks
DI	304	Nat. Rubber	304	CS	EPDM	Steel
CF8	304	Nat. Rubber	304	CS	EPDM	Steel
CF8M	316	Nat. Rubber	304	CS	EPDM	Steel

Actuator Options*

Bevel Gear	Standard 10"-24"
Pneumatic	
Hydraulic	
Electric	

*Direct Mounted Handwheel (Standard 2"-8").

Body Options

Carbon Steel (WCB)
CF8 Stainless Steel
CF8M Stainless Steel
CF3M Stainless Steel
SAF 2205 Duplex
SAF 2507 Duplex

Gate Options

304, 316, 317 Stainless Steel
SAF 2507 Duplex
17-4PH Stainless Steel
Hastelloy® C
Monel®
Titanium

Seat Options

Nat. Rubber	-60°-165°F/-51°-74°C
Buna-N	-35°-194°F/-37°-90°C
EPDM	-65°-248°F/-54°-120°C
Viton®	-15°-392°F/-26°-200°C

Additional material options may be available upon request. Consult factory for availability.

Specifications & Standards

Size Range	2" to 24" (50 - 600mm)
Pressure Rating	Up to 16"(400mm) 150psi (10bar) 18"-24"(450-600mm) 90psi (6bar)
Body Style	Wafer, two-piece bolted

Design	MSS SP-81
Testing	MSS SP-81
Face-to-face	MSS SP-81
Certification	Canadian CRN
Drilling*	ASME B16.5 CL150, ASME B16.47 CL150

*Additional drilling options available. Consult factory for availability.

Dimensions

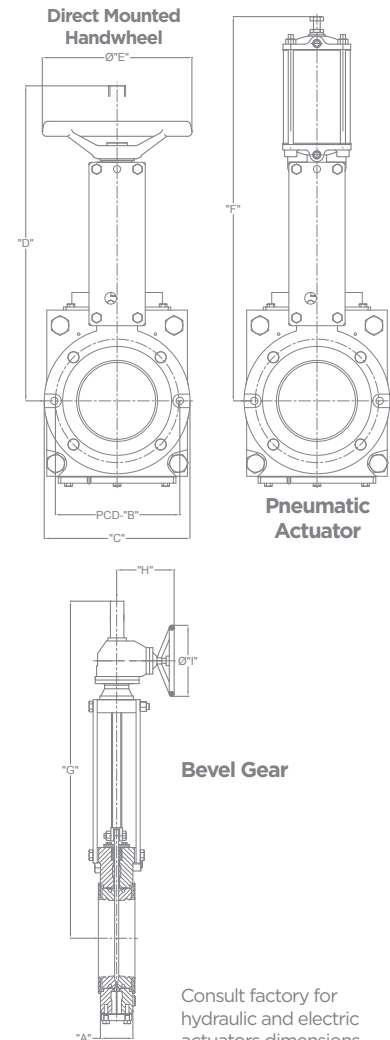
In. (mm)	A	PCD-B	C	D	ØE	F	G	H	ØI
2 (50)	2.13 (54)	4.75 (121)	6.5 (165)	17.71 (450)	12.00 (305)	19.88 (505)	--	--	--
3 (80)	2.25 (57)	6.00 (153)	7.9 (200)	23.07 (586)	12.00 (305)	27.55 (700)	--	--	--
4 (100)	2.25 (57)	7.50 (191)	9.05 (230)	25.47 (647)	12.00 (305)	30.31 (770)	--	--	--
6 (150)	2.50 (64)	9.50 (242)	11.22 (285)	32.48 (825)	15.98 (406)	37.40 (950)	35.43 (900)	9.68 (246)	--
8 (200)	3.00 (76)	11.75 (299)	13.59 (345)	35.43 (900)	20.00 (508)	42.91 (1090)	39.37 (1000)	9.68 (246)	19.68 (500)
10 (250)	3.00 (76)	14.25 (362)	15.9 (405)	42.32 (1075)	20.00 (508)	50.39 (1280)	47.24 (1200)	9.68 (246)	19.68 (500)
12 (300)	3.25 (83)	17.00 (432)	19.1 (485)	--	--	55.74 (1416)	50.2 (1275)	9.68 (246)	19.68 (500)
14 (350)	3.25 (83)	18.75 (476)	21.1 (535)	--	--	64.17 (1630)	55.12 (1400)	9.68 (246)	19.68 (500)
16 (400)	3.75 (95)	21.25 (540)	23.6 (600)	--	--	70.86 (1800)	59.45 (1510)	9.68 (246)	19.68 (500)
18 (450)	3.75 (95)	22.75 (578)	25.2 (641)	--	--	74.80 (1900)	67.91 (1725)	10.47 (266)	19.68 (500)
20 (500)	4.76 (121)	25.00 (635)	28.1 (715)	--	--	83.07 (2110)	73.82 (1875)	10.47 (266)	19.68 (500)
24 (600)	4.76 (121)	29.50 (750)	33.1 (840)	--	--	97.24 (2470)	87.40 (2220)	10.47 (266)	19.68 (500)
24 (600)	14.64 (372)	29.50 (750)	34.76 (883)	--	--	--	97.04 (2465)	88.77 (2255)	10.55 (268)

Dimensions are approximate and subject to change. Consult factory for certified drawings.

Weights

Size (In.)	2	3	4	6	8	10	12	14	16	18	20	24
Weight (lbs)	49	57	75	101	196	243	355*	518*	646*	705*	910*	1182*
Size (mm)	50	80	100	150	200	250	300	350	400	450	500	600
Weight (kgs)	22	26	34	46	89	110	161*	235*	293*	320*	413*	536*

*Approximate weights shown with bevel gear actuator standard on 10"-24" valves, consult factory for additional configurations.



Consult factory for hydraulic and electric actuators dimensions.

Bray International, Inc.
Houston, TX, USA +281.894.5454

Bray/VAAS India
Chennai +91.44.2496.1391

Benelux
Heerhugowaard +31.72.572.1410

Brazil
Paulinia Sp-Brazil +55.19.3517.6161

Canada
Montréal +514.344.2729

Chile
Santiago +56.2739.2966

China
Hangzhou, Zhejiang +86.571.828.52200

Colombia
Bogota +571.876.6084

France
Maubeuge +0033.3.27.59.41.89

Germany
Krefeld +49.2151.53360

India
Gujarat +91.2667.664444

Italy
Milano +39.02.9237.0196

Mexico
Zapopan, Jalisco +52.33.3836.4460

Middle East
Dubai +00971.0.4.887.6979

Pacific
Melbourne, Australia +613.9580.9755

Peru
Lima +511.251.0251

Poland
Oswiecim +48.33.842.1968

Russia
Moscow +7.495.36.36.222

Singapore
Ubi Techpark +65.6742.1428

South Africa
Sandton +27.10.007.3222

South Korea
Seoul +82.2.2190.3809

United Kingdom
Inchinnan +44.141.812.5199



Bray World Headquarters
Houston, TX - USA



Bray India



Bray/VAAS India

To find a distributor in your area visit us online at www.bray.com