

# Series 768

Bidirectional Slurry Valve



**Bray / VAAS**

2"-24" (50-600mm) 240psi (16bar)  
26"-60" (650-1500mm) 150psi (10bar)

# Series 768

## Bidirectional Slurry Valve

The Bray/VAAS Series 768 is a bidirectional slurry valve, designed for demanding high pressure slurry applications. Twin elastomer seats and push-through gate design facilitate self-cleaning and prevent media build up.

The durable ductile iron body is offered in a two-piece bolted wafer style. When fully open, the valve is full bore, offering no resistance to line media.

- 1 Protective stem cover is standard increasing cycle life in hazardous environments.
- 2 J-ring steel-reinforced, elastomer sleeves provide energized, zero leakage shutoff in both directions. Retaining rings included as standard throughout the entire size range.
- 3 In the open position, the energized sleeves shield all metal components from direct contact with the flowing process media.
- 4 Robust gate available in a wide range of corrosion resistant alloys to suit the application.
- 5 Full port design provides unobstructed flow path, extending sleeve life and minimizing pressure drop across valve.
- 6 Ample clearance for push-through allows complete gate closure.
- 7 Optional urethane sleeve (shown) offers additional protection from abrasive line media.
- 8 Two-piece bolted wafer body allows for easy maintenance and is drilled and tapped to ASME CL150 flange patterns as standard. Other drilling options available upon request.
- 9 Bottom flush plate with tapped ports provided as standard, allowing for safe discharge of media and easy flush water connection.



## Standard Construction

Body	Gate	Seat	Stem	Wiper Support	Wiper	Topworks
DI	316	Nat. Rubber	304	CS	EPDM	Steel
CF8M	316	Nat. Rubber	304	CS	EPDM	Steel

## Actuator Options\*

Bevel Gear	Standard 10"-24"
Pneumatic	
Hydraulic	
Electric	

\*Direct Mounted Handwheel (Standard 2"-8").

## Body Options

Carbon Steel (WCB)
CF8 Stainless Steel
CF8M Stainless Steel
CF3M Stainless Steel
SAF 2205 Duplex
SAF 2507 Duplex

## Gate Options

304, 316, 317 Stainless Steel
SAF 2507 Duplex
17-4PH Stainless Steel
Hastelloy® C
Monel®
Titanium

## Seat Options

Nat. Rubber* -60°-165°F/-51°-74°C
Urethane -35°-194°F/-37°-90°C
Buna-N -35°-194°F/-37°-90°C
EPDM -65°-248°F/-54°-120°C
Viton® -15°-392°F/-26°-200°C

Additional material options may be available upon request. Consult factory for availability.

\*Shore hardness: 60.

## Specifications & Standards

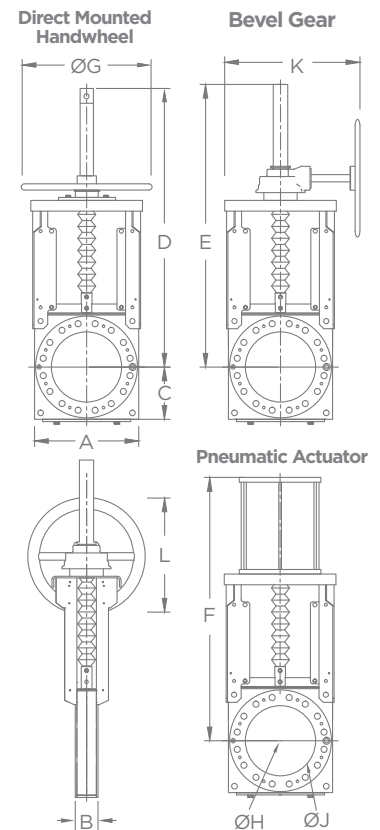
Size Range	2" to 60" (50 - 1500mm)
Pressure Rating	Up to 24" (600mm) 240psi (16bar) 26"-60" (650mm-1500mm) 150psi (10bar)
Body Style	Wafer, two-piece bolted

Design	Manufacturer Standard
Testing	MSS SP-81
Face-to-face	MSS SP-81
Certification	Canadian CRN
Drilling	ASME B16.5 CL150, ASME B16.47 CL150

## Dimensions

In. (mm)	A	B	C	D	E	F	ØG	ØH	ØJ	K	L
2 (50)	6.88 (175)	2.12 (54)	4.01 (102)	19.17 (487)	22.16 (563)	21.25 (540)	11.81 (300)	1.85 (47)	2.00 (51)	15.11 (384)	11.81 (300)
3 (80)	7.99 (203)	2.28 (58)	4.88 (124)	22.36 (568)	24.05 (611)	24.68 (627)	11.81 (300)	1.81 (71)	2.99 (76)	15.74 (400)	11.81 (300)
4 (100)	9.60 (244)	2.28 (58)	5.47 (139)	24.44 (621)	25.15 (639)	26.25 (667)	11.81 (300)	3.81 (97)	4.01 (102)	16.61 (422)	11.81 (300)
6 (150)	10.98 (279)	2.51 (64)	5.74 (146)	29.44 (748)	32.99 (838)	31.61 (803)	19.68 (500)	5.78 (147)	5.98 (152)	17.67 (449)	19.68 (500)
8 (200)	13.50 (343)	2.99 (76)	7.04 (179)	34.96 (888)	36.37 (924)	36.96 (939)	19.68 (500)	7.71 (196)	7.99 (203)	18.81 (478)	19.68 (500)
10 (250)	16.38 (416)	2.99 (76)	8.22 (209)	41.06 (1043)	44.29 (1125)	43.89 (1115)	19.68 (500)	9.72 (247)	10.00 (254)	23.77 (604)	19.68 (500)
12 (300)	19.01 (483)	3.26 (83)	9.76 (248)	47.51 (1207)	47.51 (1207)	50.11 (1273)	23.62 (600)	11.77 (299)	11.96 (304)	29.13 (740)	23.62 (600)
14 (350)	21.06 (535)	3.26 (83)	10.78 (274)	52.75 (1340)	52.75 (1340)	53.89 (1369)	23.62 (600)	12.95 (329)	13.26 (337)	30.11 (765)	23.62 (600)
16 (400)	23.74 (603)	3.77 (96)	11.88 (302)	56.49 (1435)	56.49 (1435)	59.05 (1500)	27.55 (700)	15.00 (381)	15.23 (387)	31.10 (790)	27.55 (700)
18 (450)	25.51 (648)	3.77 (96)	12.75 (324)	66.14 (1680)	66.14 (1680)	68.03 (1728)	27.55 (700)	17.00 (432)	17.32 (440)	31.10 (790)	27.55 (700)
20 (500)	27.99 (711)	4.76 (121)	14.48 (368)	71.77 (1823)	71.77 (1823)	73.93 (1878)	27.55 (700)	19.01 (483)	19.25 (489)	31.10 (790)	27.55 (700)
24 (600)	32.99 (838)	4.76 (121)	16.49 (419)	85.11 (2162)	85.11 (2162)	87.24 (2216)	27.55 (700)	23.18 (589)	23.62 (600)	34.56 (878)	27.55 (700)
26 (650)	36.77 (934)	4.92 (125)	17.51 (445)	--	--	--	--	23.50 (597)	24.56 (624)	--	--
30 (750)	41.49 (1054)	4.92 (125)	20.27 (515)	--	--	--	--	26.73 (679)	29.01 (737)	--	--
36 (900)	48.26 (1226)	5.11 (130)	23.62 (600)	--	--	--	--	31.88 (810)	35.03 (890)	--	--
40 (1000)	56.49 (1435)	5.11 (130)	27.16 (690)	--	--	--	--	38.26 (972)	41.10 (1044)	--	--
48 (1200)	62.99 (1600)	6.29 (160)	30.31 (770)	--	--	--	--	43.97 (1117)	45.66 (1160)	--	--
56 (1400)	67.32 (1710)	8.97 (228)	33.85 (860)	--	--	--	--	48.97 (1244)	51.96 (1320)	--	--
60 (1500)	76.96 (1955)	8.97 (228)	38.58 (980)	--	--	--	--	57.28 (1455)	60.03 (1525)	--	--

Dimensions given above are indicative. Please request certified drawings for piping layout.



Consult factory for hydraulic and electric actuators dimensions.

## Weights

Size (In.)	2	3	4	6	8	10	12	14	16	18	20	24	26	30	36	40	48	56	60
Weight (lbs)	44	55	77	88	143	198	375	441	529	573	727	1058	2189	2151	3500	5200	6971	8278	8818
Size (mm)	50	80	100	150	200	250	300	350	400	450	500	600	650	750	900	1000	1200	1400	1500
Weight (kgs)	20	25	35	40	65	90	170	200	240	260	330	480	993	976	1588	2359	3162	3755	4000

\*Weight shown with pneumatic actuator standard on 26"-60" valves.

Series 768 Bidirectional Slurry Valve

Full product range at [bray.com](http://bray.com)

**Bray**

**Bray International, Inc.**  
Houston, TX, USA +281.894.5454

**Bray/VAAS India**  
Chennai +91.44.2496.1391

**Benelux**  
Heerhugowaard +31.72.572.1410

**Brazil**  
Paulinia Sp-Brazil +55.19.3517.6161

**Canada**  
Montréal +514.344.2729

**Chile**  
Santiago +56.2739.2966

**China**  
Hangzhou, Zhejiang +86.571.828.52200

**Colombia**  
Bogota +571.876.6084

**France**  
Maubeuge +0033.3.27.59.41.89

**Germany**  
Krefeld +49.2151.53360

**India**  
Gujarat +91.2667.664444

**Italy**  
Milano +39.02.9237.0196

**Mexico**  
Zapopan, Jalisco +52.33.3836.4460

**Middle East**  
Dubai +00971.0.4.887.6979

**Pacific**  
Melbourne, Australia +613.9580.9755

**Peru**  
Lima +511.251.0251

**Poland**  
Oswiecim +48.33.842.1968

**Russia**  
Moscow +7.495.36.36.222

**Singapore**  
Ubi Techpark +65.6742.1428

**South Africa**  
Sandton +27.10.007.3222

**South Korea**  
Seoul +82.2.2190.3809

**United Kingdom**  
Inchinnan +44.141.812.5199



**Bray World Headquarters**  
Houston, TX - USA



**Bray India**



**Bray/VAAS India**

To find a distributor in your area visit us online at [www.bray.com](http://www.bray.com)